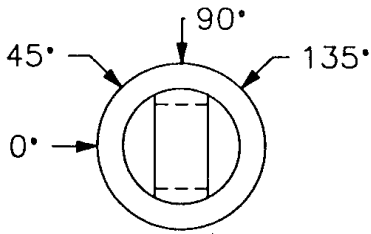


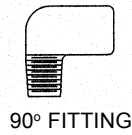


**8100 Series**

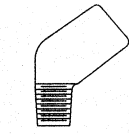
Name \_\_\_\_\_  
 Team \_\_\_\_\_  
 Phone \_\_\_\_\_ Fax \_\_\_\_\_  
 Date \_\_\_\_\_



BODY CAP HOSE POSITION



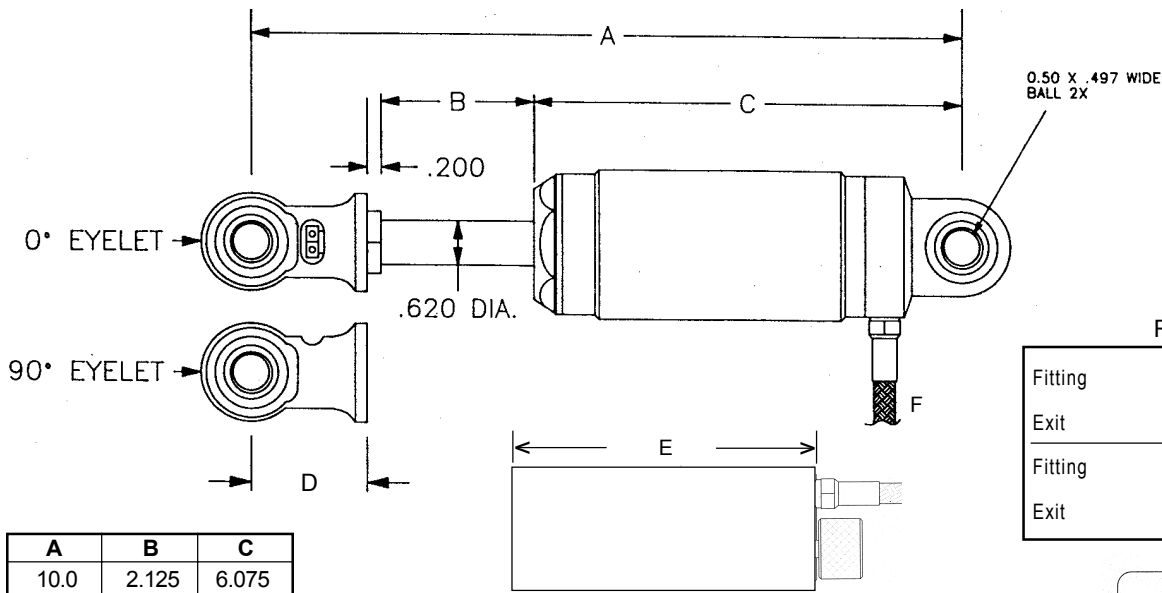
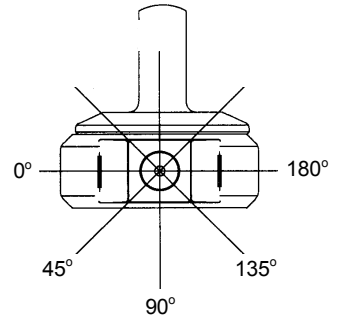
90° FITTING



45° FITTING

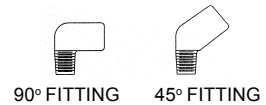
|         |         |
|---------|---------|
| Angle   | Angle   |
| Fitting | Fitting |
| Exit    | Exit    |
| Angle   | Angle   |
| Fitting | Fitting |
| Exit    | Exit    |

**ANGLE**



Reservoir

|         |         |
|---------|---------|
| Fitting | Fitting |
| Exit    | Exit    |
| Fitting | Fitting |
| Exit    | Exit    |



| A                            | B                  | C      |
|------------------------------|--------------------|--------|
| 10.0                         | 2.125              | 6.075  |
| 10.5                         | 2.375              | 6.325  |
| 11.0                         | 2.625              | 6.575  |
| 11.5                         | 2.875              | 6.825  |
| 12.0                         | 3.125              | 7.075  |
| 12.5                         | 3.375              | 7.325  |
| 13.0                         | 3.625              | 7.575  |
| 13.5                         | 3.875              | 7.825  |
| 14.0                         | 4.125              | 8.075  |
| 14.5                         | 4.375              | 8.325  |
| 15.0                         | 4.625              | 8.575  |
| 15.5                         | 4.875              | 8.825  |
| 16.0                         | 5.125              | 9.075  |
| 18.0                         | 6.125              | 10.075 |
| 20.0                         | 7.125              | 11.075 |
| 24.0                         | 9.125              | 13.075 |
| <b>D (Eyelet)</b>            |                    |        |
| 1.6                          | (0° or 90°) (std.) |        |
| 2.0                          | (0°)               |        |
| 2.3                          | (0°)               |        |
| <b>E (Reservoir Length)</b>  |                    |        |
| 5.5 or 7.0                   |                    |        |
| <b>F (Hose)</b>              |                    |        |
| 4" to 36" (in 1" increments) |                    |        |

|   |   |
|---|---|
| A | A |
| B | B |
| C | C |
| D | D |
| E | E |
| F | F |
| A | A |
| B | B |
| C | C |
| D | D |
| E | E |
| F | F |

| Piston | Valving |   | Spring Hardware                |
|--------|---------|---|--------------------------------|
|        | C       | C |                                |
|        | R       | R | <input type="checkbox"/> 2.25" |
|        | C       | C | <input type="checkbox"/> 2.50" |
|        | R       | R |                                |

Chassis: \_\_\_\_\_  
 Note: \_\_\_\_\_